

# FLOWMAX<sup>®</sup>

## 17.A2 & 34.A2



### FLOWMAX<sup>®</sup> PUMPING SYSTEMS - AIRMIX<sup>®</sup> & AIRLESS

- Superlife<sup>™</sup> bellows technology
- No lubrication required
- Proven reliability



Experts in Finishing and Dispensing Solutions

[www.kremlinrexson-sames.com/en/us](http://www.kremlinrexson-sames.com/en/us)

# FLOWMAX®

## 17.A2 & 34.A2



### TECHNICAL DATA

	FLOWMAX® 17.A2	FLOWMAX® 34.A2
Pressure ratio	17:1	34:1
Output per cycle	2.02 fl oz / (60 cc)	
Maximum material pressure	1450 psi / (100 bar)	2900 psi / (200 bar)
Material flow at 30 cycles/min	60.8 fl oz / (1.8 L/min)	
Max working temperature	122°F / 50°C	
Working pressure air in	29 to 87 psi / (2 to 6 bar)	
Material outlet	3/8"	
Valve air inlet	3/8" BSP	3/4"
Fluid inlet siphon hose fitting	26 x125	

## FLOWMAX® TECHNOLOGY

Since 1925 Kremlin Rexson has been recognized as a major innovator in fluid handling. FLOWMAX® technology on Kremlin Rexson's 17.A2 and 34.A2 pumps handle a wide range of coatings, including moisture sensitive, U.V. or waterborne materials.

With its unsurpassed bellows technology, the FLOWMAX® 17.A2 and 34.A2 pumps ensure total sealing, performance, an extended lifetime and unsurpassed reliability.

The unique design with external valves allows for easy maintenance.

Innovator of the FLOWMAX® bellows technology 15 years ago, KREMLIN REXSON has always proven our ability to stay innovative.

## MATERIAL APPLICATIONS

Water based and solvent based materials, varnishes, stains, 2K materials and moisture sensitive coatings.

### RECOMMENDED MARKETS



CONSTRUCTION  
EQUIPMENT



KITCHEN AND  
BATHROOM



FURNITURE



ROLLING  
EQUIPMENT

# CUSTOMER BENEFITS

Increased air motor lifetime ←

No lubrication ←

High reliability ←

Superlife™ bellows seal ←

## STAINLESS STEEL WETTED PARTS

Compatible with the widest range of materials (paints, varnish and liquid adhesives)

## AIR MOTOR

The ceramic reversing block increases air motor lifetime

## BELLOWS TECHNOLOGY

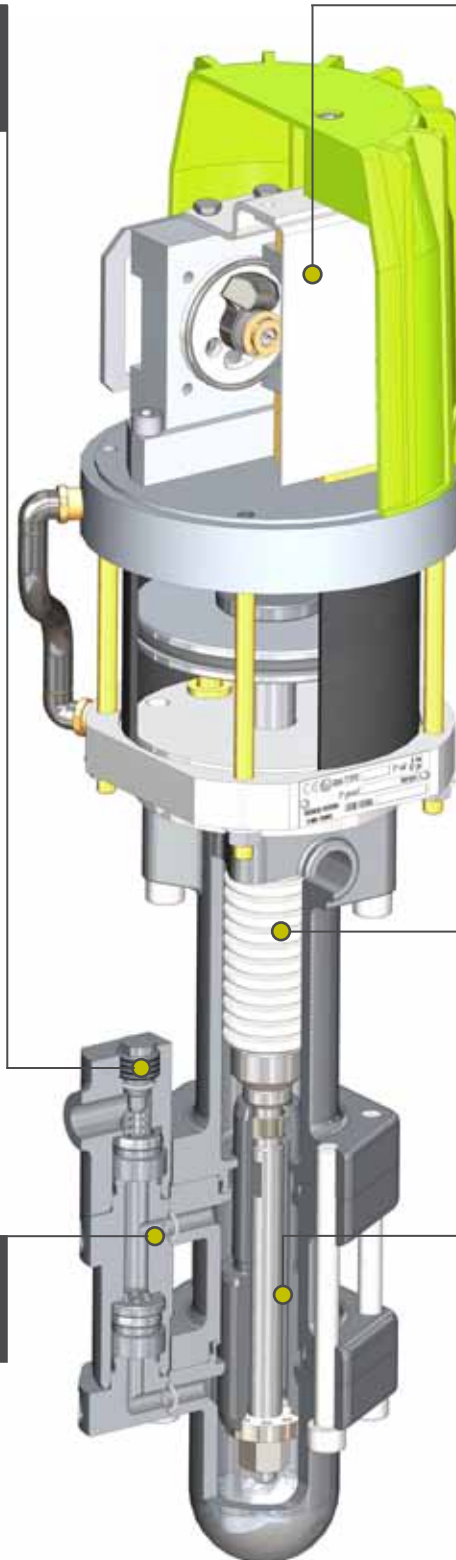
- Leak free technology
- No lubricating cup-internal self lubrication
- Packing free
- Ideal for catalysts and moisture sensitive material

## EXTERNAL VALVE ASSEMBLY

- Easy maintenance
- Easy access to wearing parts due to tie rod free design

## FLOATING PISTON

- Reduces material shear and increases seal lifetime
- Balanced output on both strokes is ideal for automatic applications



# EXPERTS IN FINISHING AND DISPENSING SOLUTIONS FOR ALL MARKETS WORLDWIDE

## WHERE TO FIND US ?

[WWW.KREMLIN-REXSON.COM/EN/USA](http://WWW.KREMLIN-REXSON.COM/EN/USA)



KREMLIN REXSON, creator of **AIRMIX®**, **FLOWMAX®** and **CYCLOMIX™** technologies, offers a wide range of pumps and equipment for the protection of materials and application of paints, sealants and adhesives.



**Kremlin Rexson**

[www.kremlinrexson-sames.com/en/usa/](http://www.kremlinrexson-sames.com/en/usa/)

### EXEL North America, Inc.

North American Headquarters  
45001 5 Mile Road  
Plymouth, MI 48170  
Toll Free: (800) 573-5554  
Phone: (734) 979-0100  
Fax: (734) 927-0064

### EXEL North America, Inc.

Canadian Branch  
931 Progress Ave., Unit 7  
Scarborough, Ontario M1G 3V5  
Toll Free: (800) 450-0655  
Phone: (416) 431-5017  
Fax: (416) 431-9171

### EXEL-NA, S.A. de C.V.

Acceso III N°16A Int 15A  
Conjunto Quadrum  
Parque Industrial Benito Juárez  
Santiago de Querétaro, Qro.  
México, C.P. 76120  
+52 (442) 209-5027 /161-2595 Ext 170 Oficina  
+52 (81) 1811-0955 Nextel ID: 92\*898188\*2