




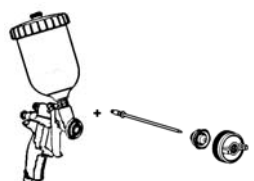
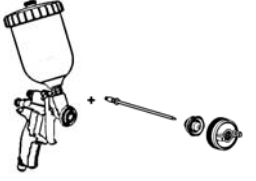
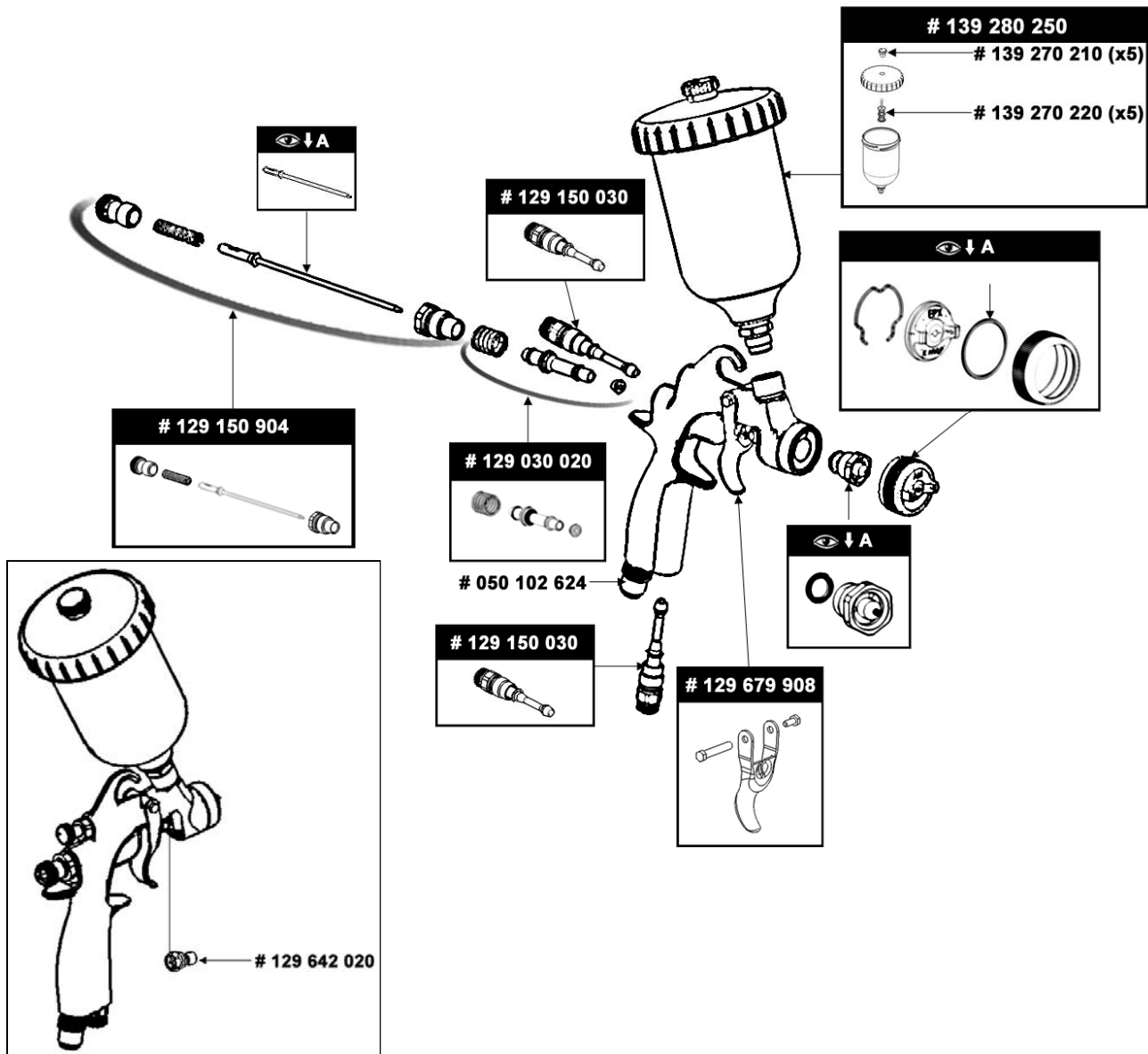


PIECES DE RECHANGE SPARE PARTS

S3 G

| S 3 G HPA | | | S 3 G HTi | | |
|---|---|-------------|--|---|-------------|
|  | | | | | |
| |  | # | |  | # |
|  | - | 136.155.100 |  | - | 136.155.100 |
|  | + 08 AM | 136.155.108 |  | + 08 ESG KHVLP | 136.155.112 |
| | + 10 AM | 136.155.109 | | + 10 ESG KHVLP | 136.155.113 |
| | + 12 AM | 136.155.110 | | + 12 ESG KHVLP | 136.155.114 |
| | + 10 PGL | 136.155.107 | | | |









Pochette de joints / Seal kit
129 150 901

* inclus dans la pochette de joints
* included in the seal kit

Pochette de maintenance / Servicing kit
129 150 902



| | | A | | B | | C | |
|---|-------------|---|-------------|---|-------------|---|-------------|
|  | # |  | # |  | # |  | # |
| 08 AM | 031.150.008 | AM | 132.630.400 | 08 | 134.630.400 | 08 | 033.150.100 |
| 10 AM | 031.150.009 | | | 10 | 134.630.100 | 10 | 033.150.500 |
| 12 AM | 031.150.010 | | | 12 | 134.630.200 | 12 | 033.150.200 |
| 10 PGL | 031.150.007 | PGL | 132.640.100 | 10 L | 134.640.100 | 10 L | 033.150.300 |
| 08 ESG KHVLP | 031.150.012 | ESG KHVLP | 132.150.200 | 08 | 134.630.400 | 08 | 033.150.100 |
| 10 ESG KHVLP | 031.150.013 | | | 10 | 134.630.100 | 10 | 033.150.500 |
| 12 ESG KHVLP | 031.150.014 | | | 12 | 134.630.200 | 12 | 033.150.200 |

