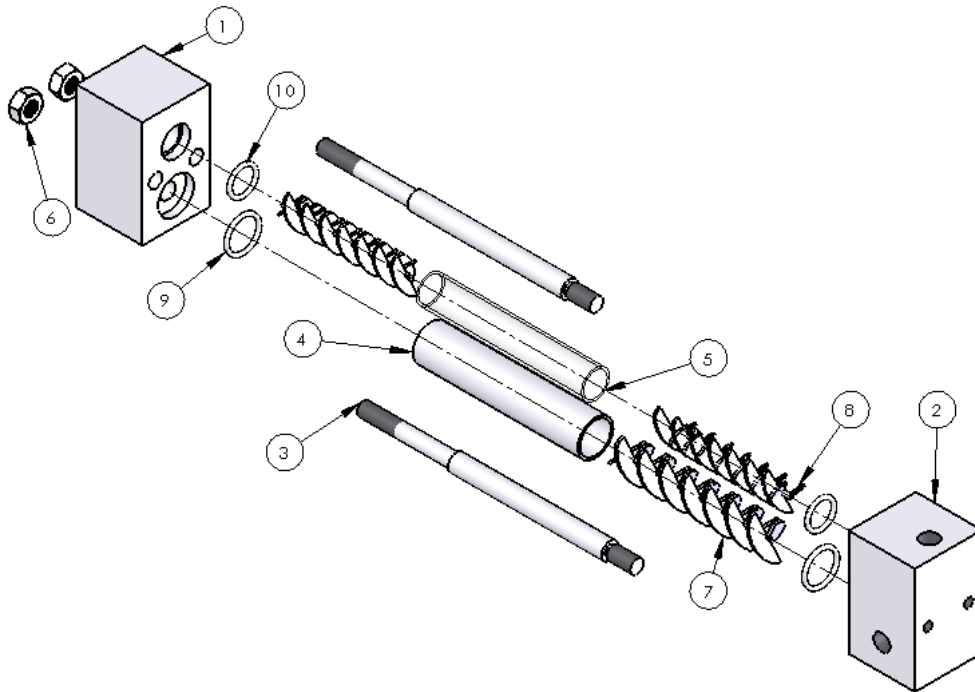


Doc. SP 669-780-600 Date/Datum/Fecha : 03/01/07 Annule/Cancel/Anula :	Modif. :	Pièces de rechange Spare parts list Piezas de repuesto
STATIC MIXER		Part # 669-780-600



Technical Specifications:

CONSTRUCTION STAINLESS STEEL

INLET PORT A ¼ NPT

INLET PORT B ¼ NPT

FLUSH PORT C ¼ NPT

OUTLET PORT ¼ NPT

MOUNTING; 2 x M8 x 1.25 HOLES, SPACING 1.2, DEPTH 1"

HEIGHT 9.25

WIDTH 2

DEPTH 3.1

WEIGHT

Item	Part Number	Description	Qty.
1	23564-A	BLOCK, STATIC MIXER RETURN	1
2	23564-B	BLOCK, STATIC MIXER INLET/OUTLET	1
3	23564-C	ROD, STATIC MIXER SUPPORT	2
4	669-780-611	TUBE, 3/4" STATIC MIXER	1
5	669-780-610	TUBE, 1/2" STATIC MIXER	1
6	?	NUT, HEX SS	2
7	669-900-003	MIXER, STATIC TUBE, LARGE	1
8	151-539-902	MIXER, STATIC TUBE, SMALL	2
9	669-780-539	O-RING, TEFLON	2
10	669-780-538	O-RING, TEFLON	2
REPLACEMENT AND OPTIONAL PARTS			
A	669-780-540	KIT, STATIC MIXER REPAIR, INCLUDES ITEMS 7, 8, 9 & 10	

INSTALLATION & OPERATION

