

Ref. 573.009.112

Modif. model of fluid regulator added



LOW PRESSURE FLUID REGULATOR

Date : 06/07/00

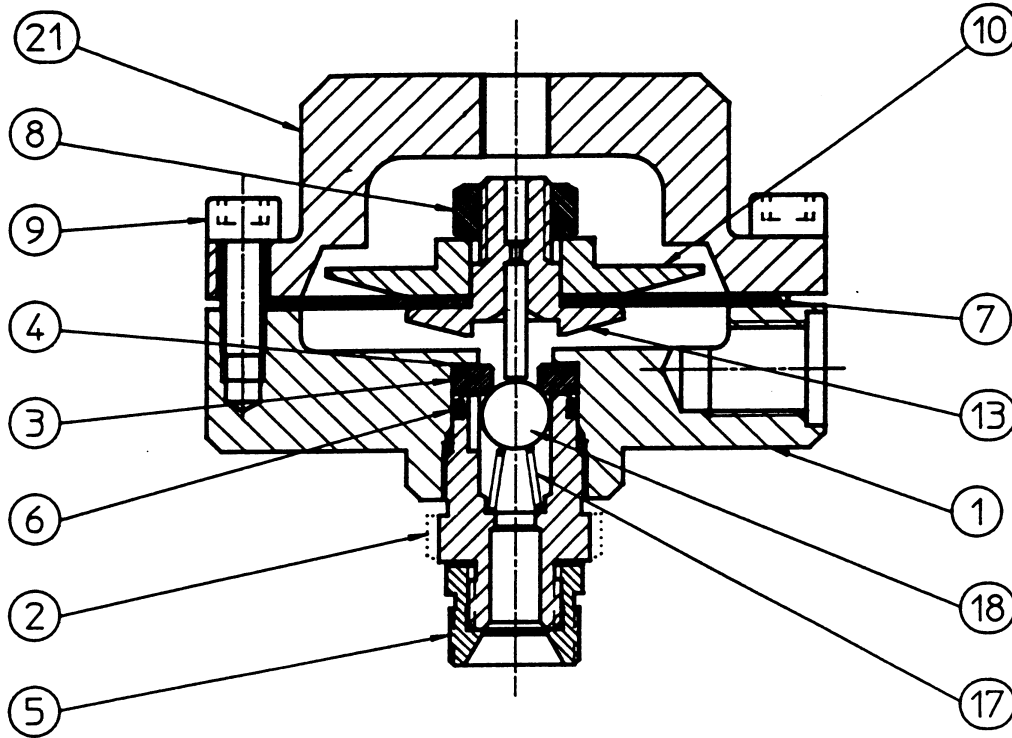
AIR OPERATED

Supersede : 28/05/96

Parts identification list

LOW PRESSURE FLUID REGULATOR (AIR OPERATED) – MODEL 6 – 0.5/4 :

- Stainless steel P.N° : 155.610.050



Ind.	Part number	Description	Qty	Ind.	Part number	Description	Qty
1	055.610.001	Lower body	1	8	953.010.021	Nut, HM 10	1
2	055.610.002	Fitting, valve	1	9	933.151.196	Screw, CHc M 6 x 16	6
3	055.610.004	Seat	1	10	055.170.006	Lower washer	1
4	055.610.005	Flat seal	1	13	155.610.003	Needle assembly	1
5	---	Fitting (fluid inlet) :	1	17	050.312.225	Conical spring	1
-	029.020.007	. 18 x 125 M, stainless steel	1	18	907.414.223	Ball, Ø 9,52 / 0.37"	1
-	029.020.008	. 3/8 NPS M, stainless steel	1	21	055.175.055	Hat	1
-	029.020.009	. 3/8 BSP M, stainless steel	1			OPTIONAL	
6	050.040.314	Seal, PTFE	1	016.200.010	Bracket		1
7	055.170.005	Diaphragm	1				