

A I R S P R A Y

**A29**  
HTI / HPA



## AUTOMATIC LOW PRESSURE GUNS

- High transfer efficiency (up to **74%\***)
- Outstanding atomization quality
- Designed for high viscosity materials

\* E3 KHVLP aircap ± 2% according to EN 13966-1



Experts in Finishing and Dispensing Solutions

[www.kremlinrexson-sames.com/en/us](http://www.kremlinrexson-sames.com/en/us)

# PNEUMATIC

# A29

## HTI / HPA



### TECHNICAL DATA

	A29 HTI		A29 HPA	
Maximum fluid pressure	87 psi (6 bar)			
Atomizing air pressure	HTI : 10 - 29 psi (0.7 - 1.9 bar)		HPA : 29 - 42.5 psi (2.0 - 3.0 bar)	
Minimum trigger air pressure	43.5 psi (3 bar)			
Fluid output	<b>0.6 mm nozzle</b> 5.1 oz/mn (0.15 L/mn)	<b>0.7 mm nozzle</b> 6.7 oz/mn (0.20 L/mn)	<b>0.9 mm nozzle</b> 8.45 oz/mn (0.25 L/mn)	
	<b>1.2 mm nozzle</b> 10.1 oz/mn (0.30 L/mn)	<b>1.5 mm nozzle</b> 11.8 oz/mn (0.35 L/mn)	<b>1.8 mm nozzle</b> 13.5 oz/mn (0.40 L/mn)	
Weight - gun only	20.6 oz (585 g)			
Maximum fluid temperature	122 °F (50 °C)			
Transfer efficiency	E3 KHVLP : 74% (HTI very low pressure)		EP3 : 72% (HTI low pressure)	EN3 : 65% (HPA)
Wetted parts	Stainless steel - Treated stainless steel			

## AIRSPRAY TECHNOLOGIES - VERY LOW PRESSURE (HTI) AND LOW PRESSURE (HPA)

HTI and HPA technologies developed by KREMLIN REXSON are the results of many years of fundamental Research and Development to achieve the best results in terms of transfer efficiency and finishing quality.

HTI technology offers outstanding finish quality, high transfer efficiency and is compliant with most environmental protection regulations.

HPA technology features unsurpassed finish quality using powerful atomization to apply a wide range of materials including high viscosity materials.

## MATERIAL HANDLED

Primers, stains, direct gloss/metallic, top coat/high gloss, solvent or water-based paints, liquid adhesives

## RECOMMENDED MARKETS



PLASTIC



LEATHER



GLASS COATING



FURNITURE

For high production - high frequency opening and closing ←

2 technologies available (HTI and HPA) ←

large selection of nozzles ↓

Compatible with water-based materials - stainless steel fluid passages ←

## SPRAYING QUALITY

Indexed knob adjust fluid output

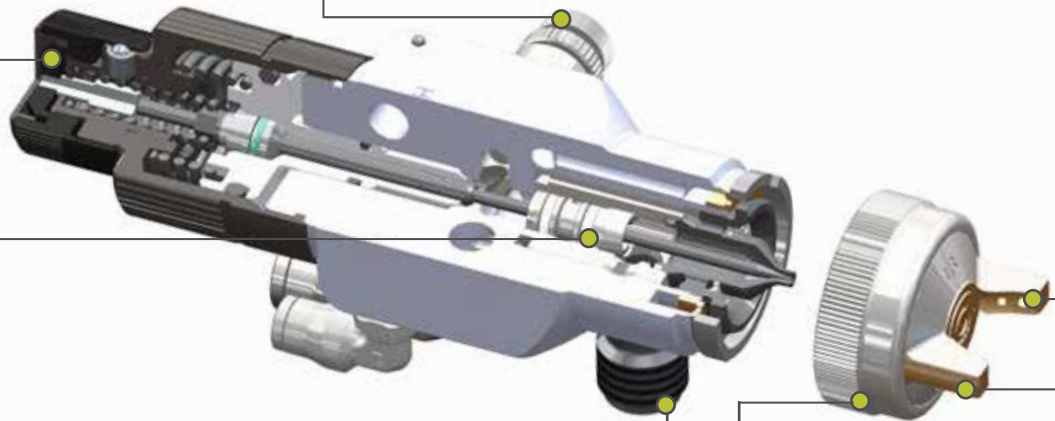
- High output accuracy
- Simple or precision flow adjustment
- Provides repeatability by numbered indexing

## HIGH RELIABILITY

- Needle sealing by self adjusting cartridge
- Hard treated needle for increased lifetime

## SPRAYING QUALITY

- High precision fluid regulation
- EN3L aircap is designed for large fan width



## HIGH TRANSFER EFFICIENCY

- Reduced overspray
- Fast R.O.I (Return on Investment) for products savings
- Reduced spray booth maintenance

## SPRAYING QUALITY

Independent atomization air and fan adjustment for a perfect control of the fan even at low outputs.

## HIGH RELIABILITY

Optimized fluid passages for high viscosity materials.

- 3/8 NPS
- SS material inlet

## HIGH RELIABILITY

- 0-90° indexed aircap
- Easy readjustment of fan pattern
- Brass nickel plated aircap
- High resistance to water-based materials

# EXPERTS IN FINISHING AND DISPENSING SOLUTIONS FOR ALL MARKETS WORLDWIDE

## WHERE TO FIND US ?

[WWW.KREMLIN-REXSON.COM/EN/USA](http://WWW.KREMLIN-REXSON.COM/EN/USA)



KREMLIN REXSON, **creator of AIRMIX<sup>®</sup>, FLOWMAX<sup>®</sup> and CYCLOMIX<sup>™</sup> technologies**, offers a wide range of pumps and equipment for the protection of materials and application of paints, sealants and adhesives.



[www.kremlinrexson-sames.com/en/usa/](http://www.kremlinrexson-sames.com/en/usa/)

**EXEL North America, Inc.**  
North American Headquarters  
45001 5 Mile Road  
Plymouth, MI 48170  
Toll Free: (800) 573-5554  
Phone: (734) 979-0100  
Fax: (734) 927-0064

**EXEL North America, Inc.**  
Canadian Branch  
931 Progress Ave., Unit 7  
Scarborough, Ontario M1G 3V5  
Toll Free: (800) 450-0655  
Phone: (416) 431-5017  
Fax: (416) 431-9171

**EXEL-NA, S.A. de C.V.**  
Acceso III N° 16A Int 15A  
Conjunto Quadrum  
Parque Industrial Benito Juárez  
Santiago de Querétaro, Qro.  
México, C.P. 76120  
+52 (442) 209-5027 /161-2595 Ext 170 Oficina