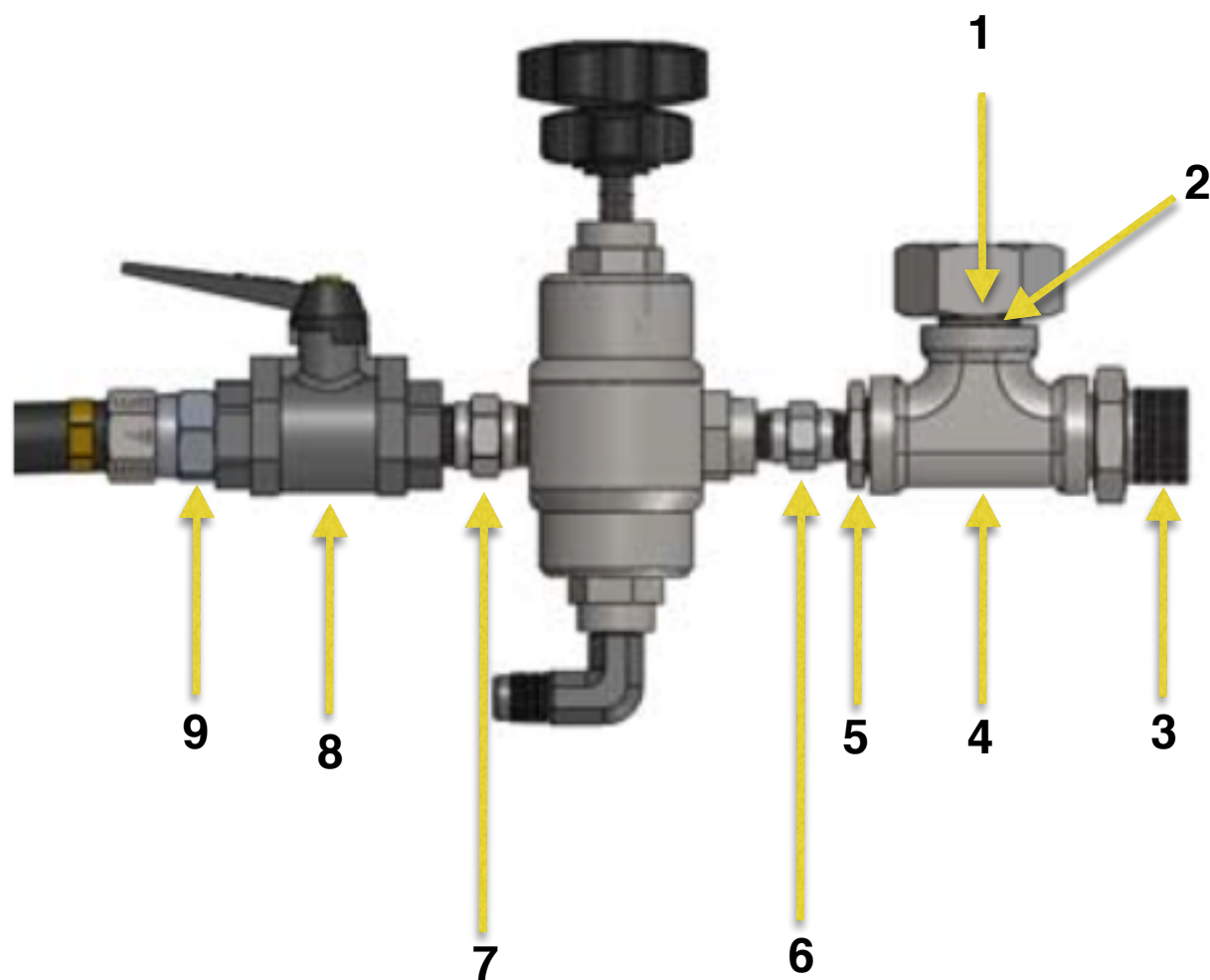


Raccords ensemble recirculation inox



1	050-271-502	nut 26.125 inox
2	668-000-466	barb. 1/2 NPT inox
3	050-102-437	union 1/2 X 26.125 inox
4	668-000-022	"T" 1/2 inox
5	TI-SS-R0804	réduit 1/2m. X 1/4f. inox
6	SS-4-HN	union 1/4 inox
7	SS-6-HN	union 3/8 inox
8	TI-SS-2B-3/8	valve 3/8 inox
9	050-102-436	union 3/8 X 18.125 inox